

VL34 IP66

VL34 is a single output recess mounted aluminium LED profile with spring mounting clips. Manufactured as standard in 2015mm lengths, VL34 can be custom made to any individual length up to and including 2015mm. Using a solid PCB, potted in clear optical resin VL34 now offers a higher performing solution for many exterior applications. Finished as standard in Clear Natural Anodised.

Inclusions:

Spring Mounting Clips
Solid PCB
Clear Fill Optical Resin

Lens Options:

Opal (aesthetic purposes only)

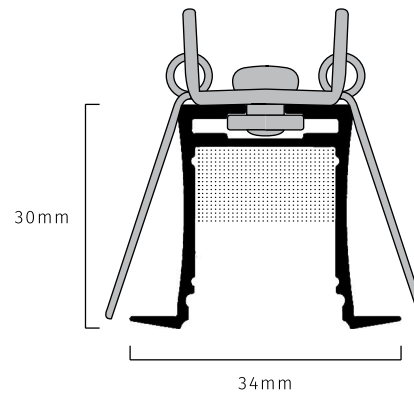
	Voltage	Wattage
VL34-20	DC24V	20W/m
VL34-RGB	DC24V	14.4W/m

VL34 IP66 - Recess Mount (34w x 30h)

VL34 IP66 - 3000/4000K (20W per metre)



VL34 IP66 - RGB (14.4W per metre)



Cut out size:

30mm wide by
total length less 5mm

